

2025 RELEASE UNDER E.O. 14176

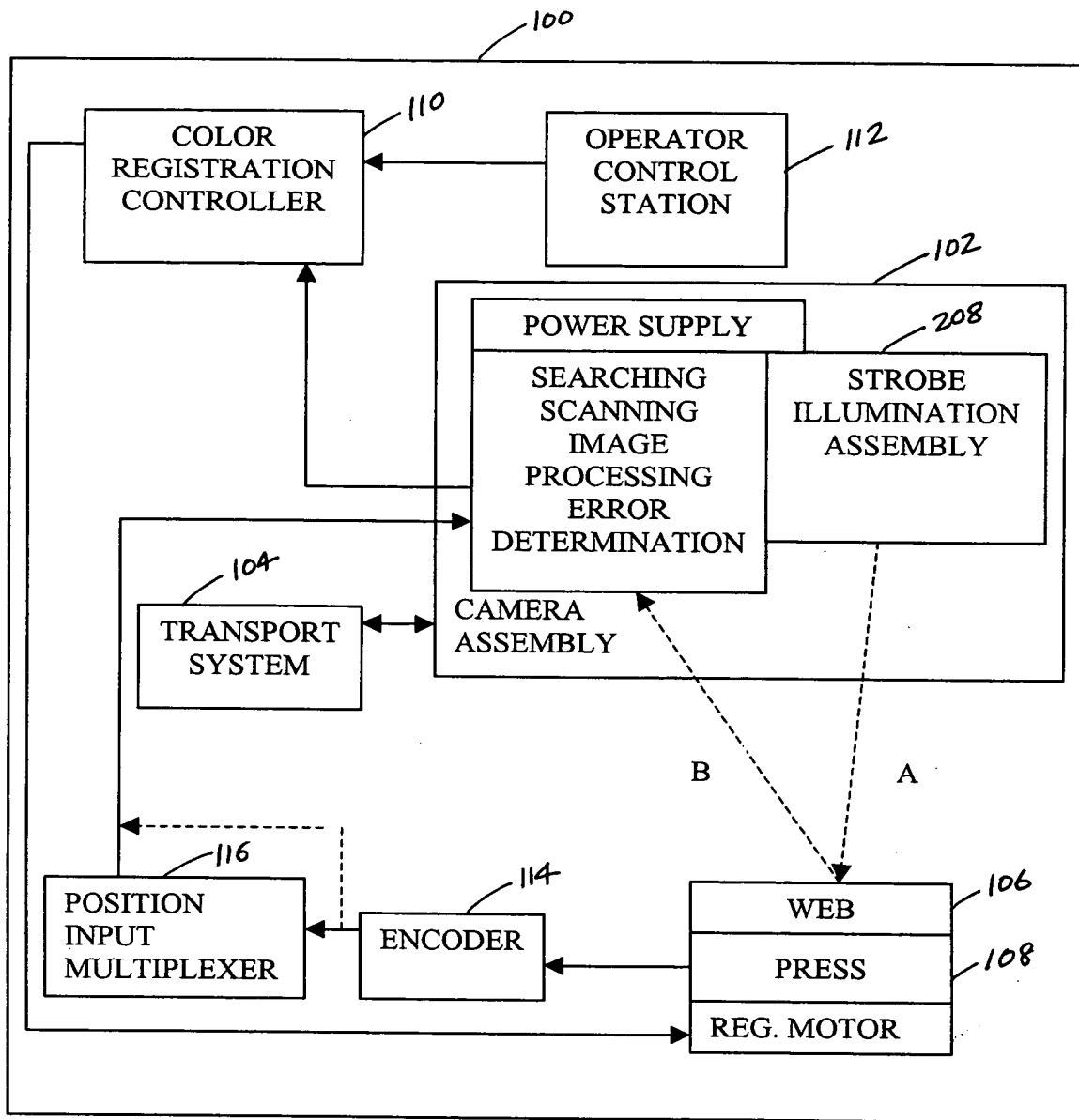


FIG. 1

209020" 242200T

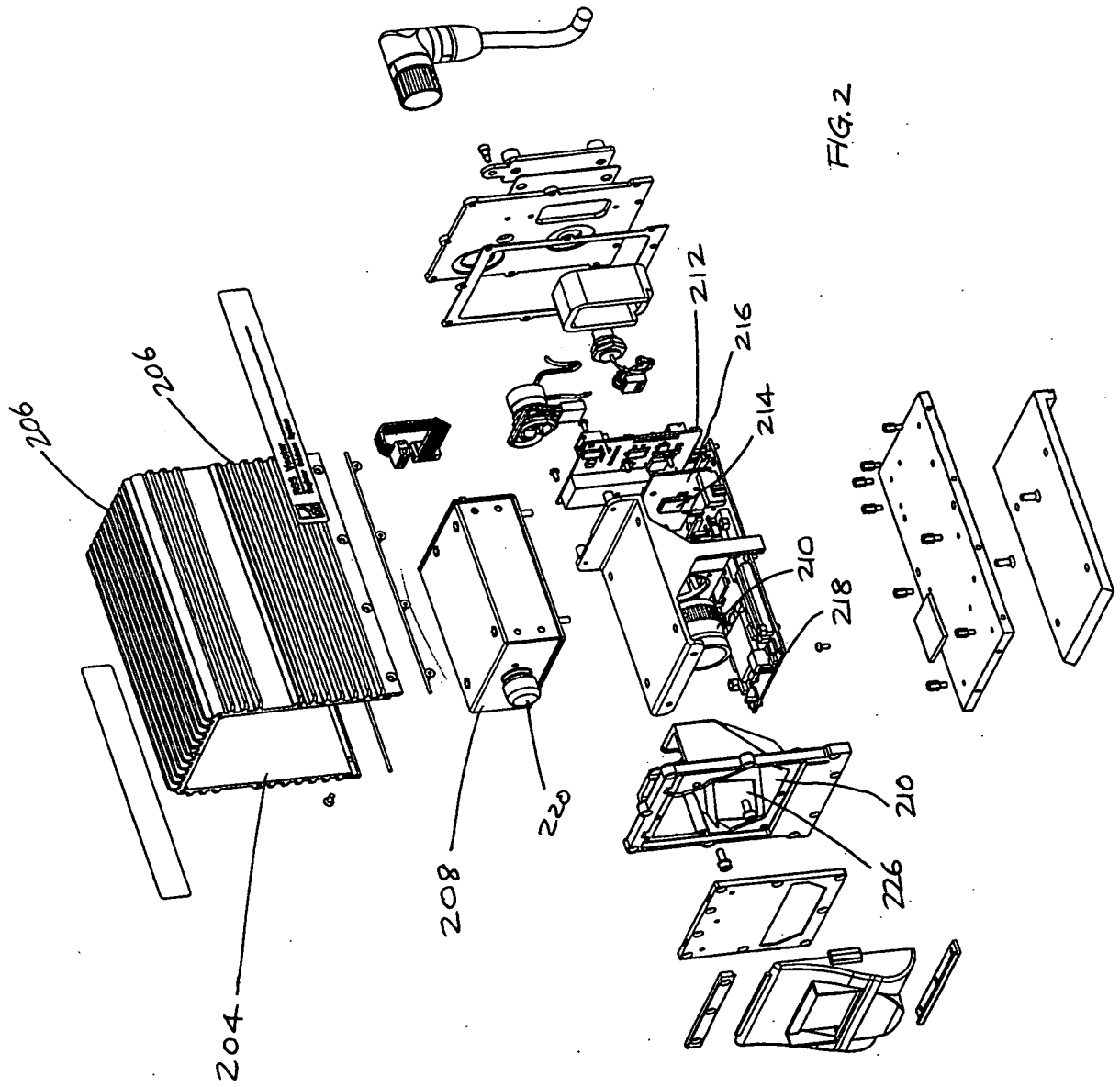


FIG. 2

209020" 2h22200r

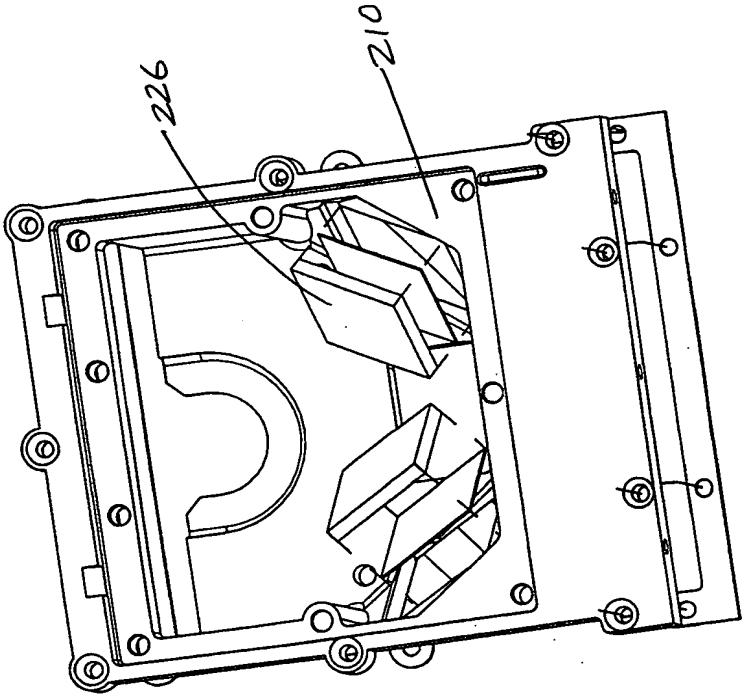


FIG. 3

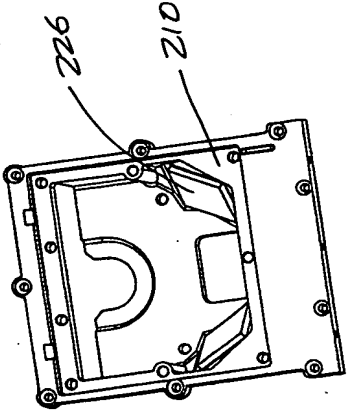


FIG. 4

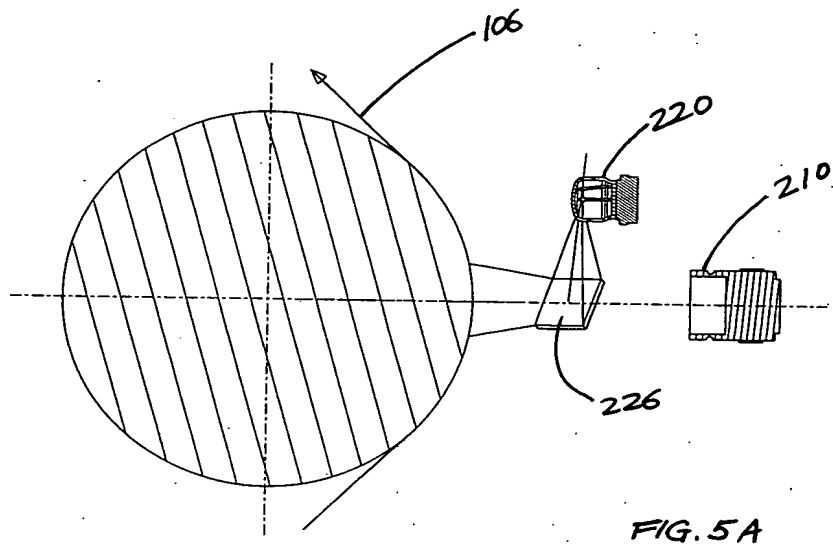
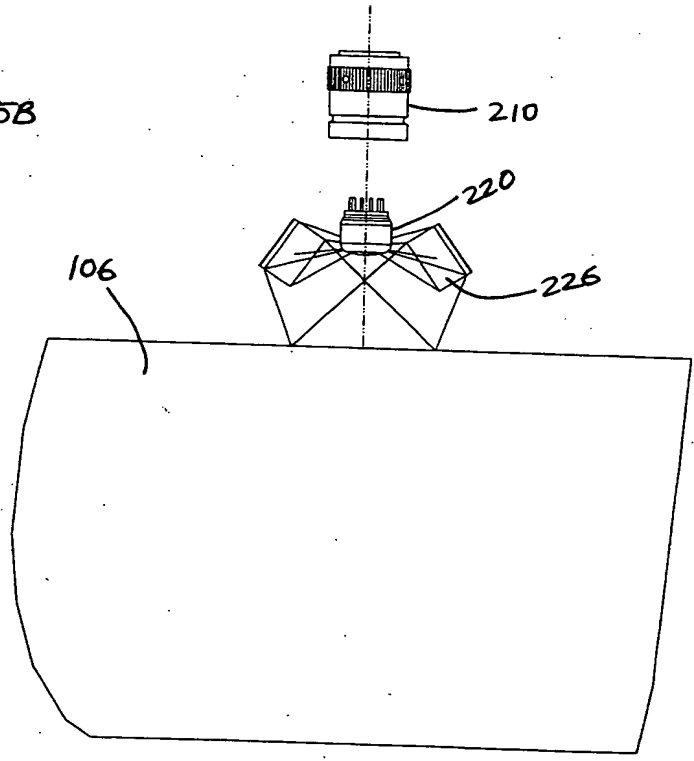


FIG. 5B



20250220 042200T

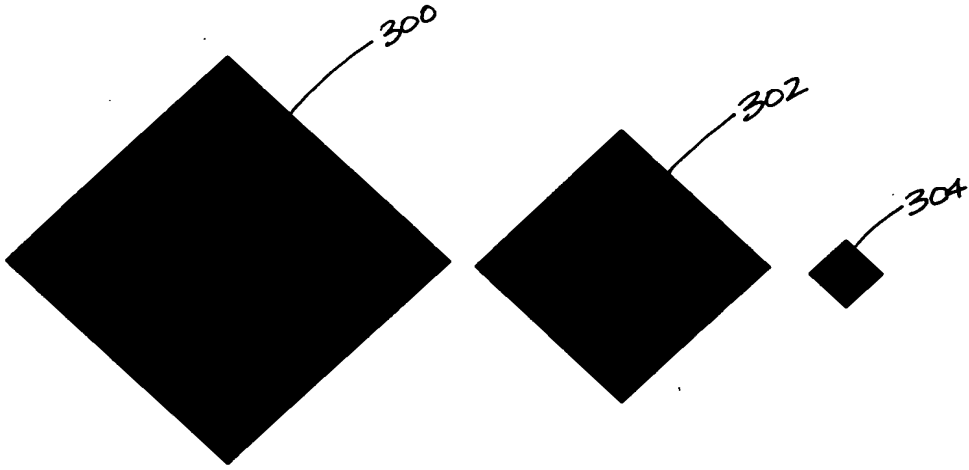


FIG. 6

20250724 10:07:20



FIG. 7

218

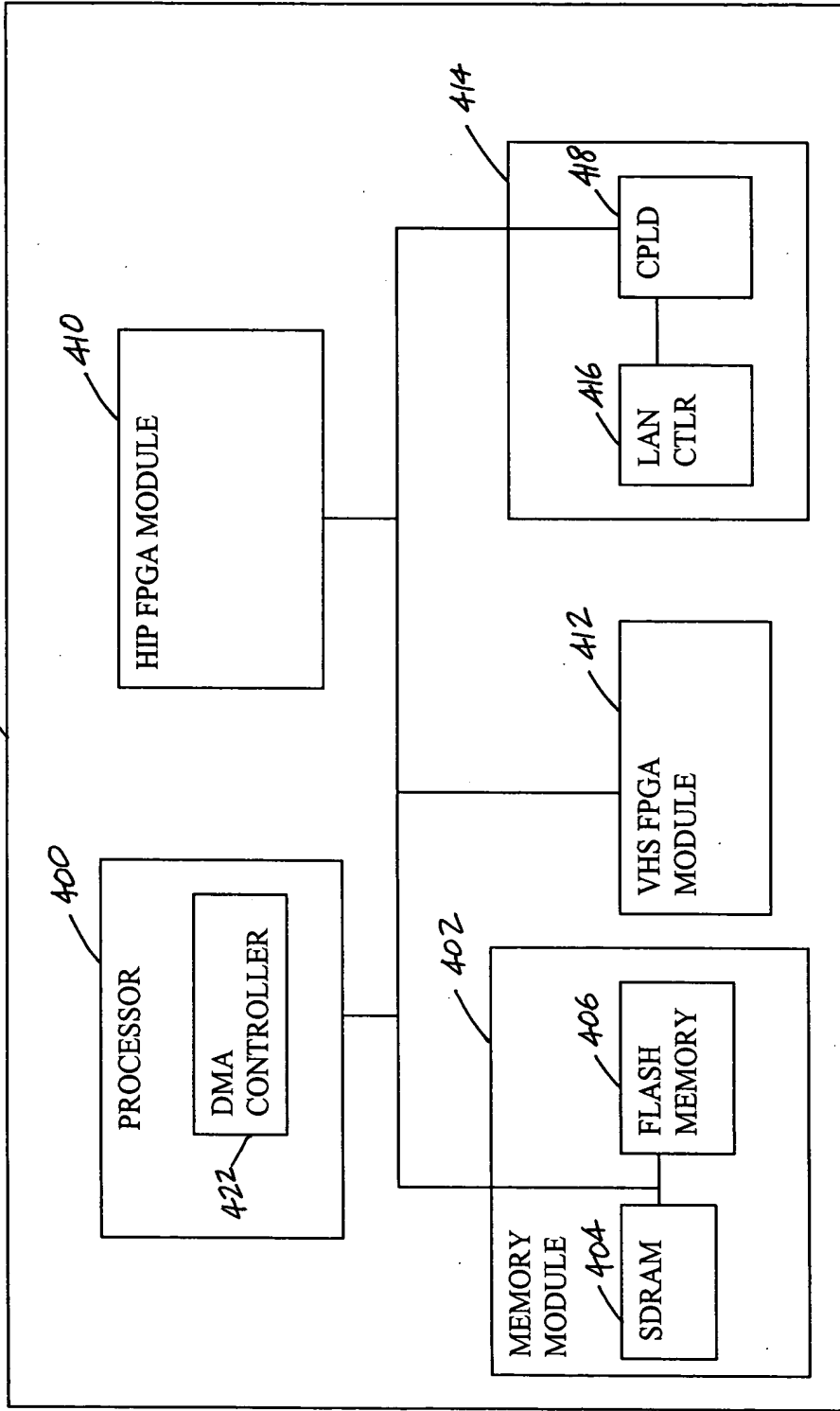
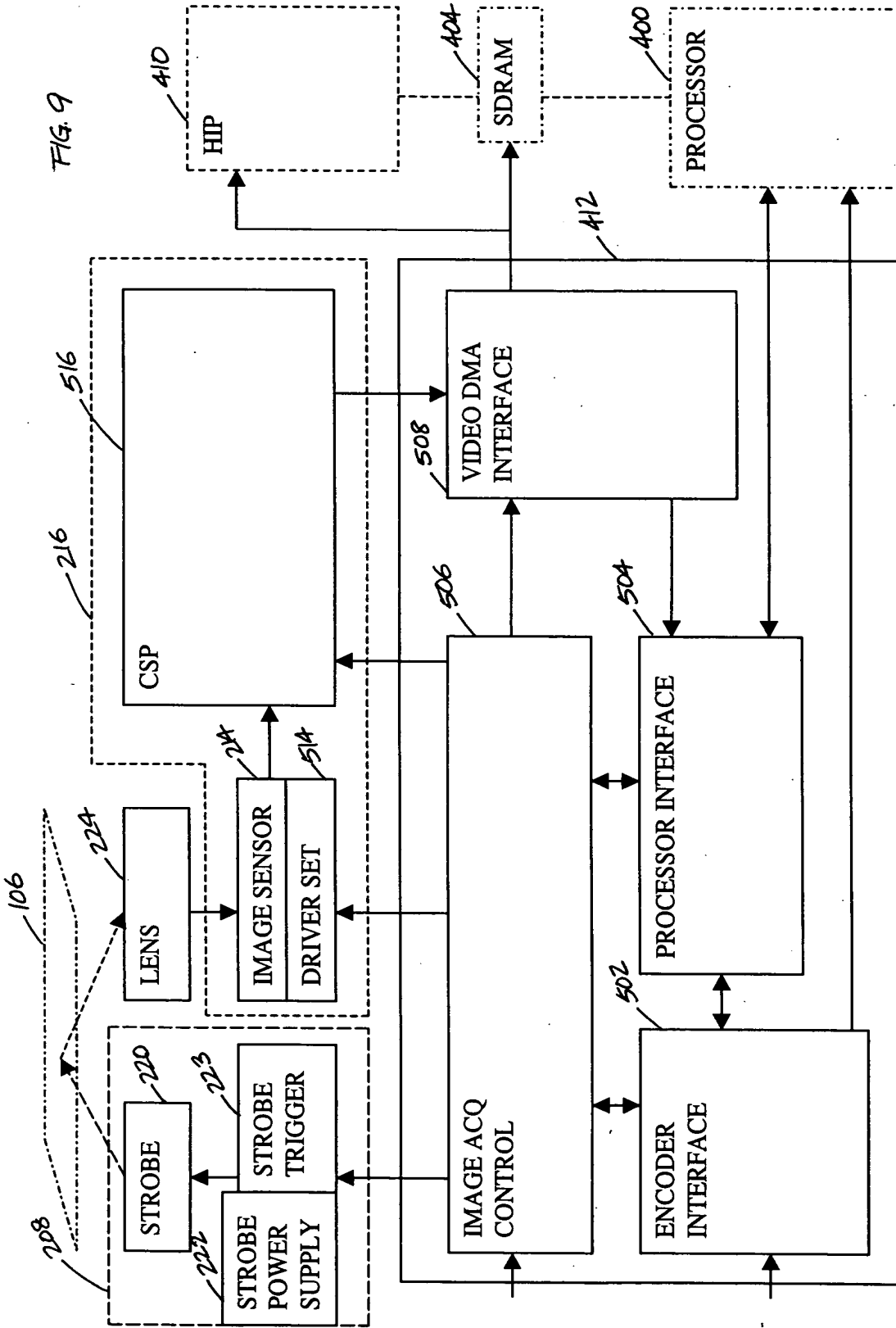


FIG. 8





410

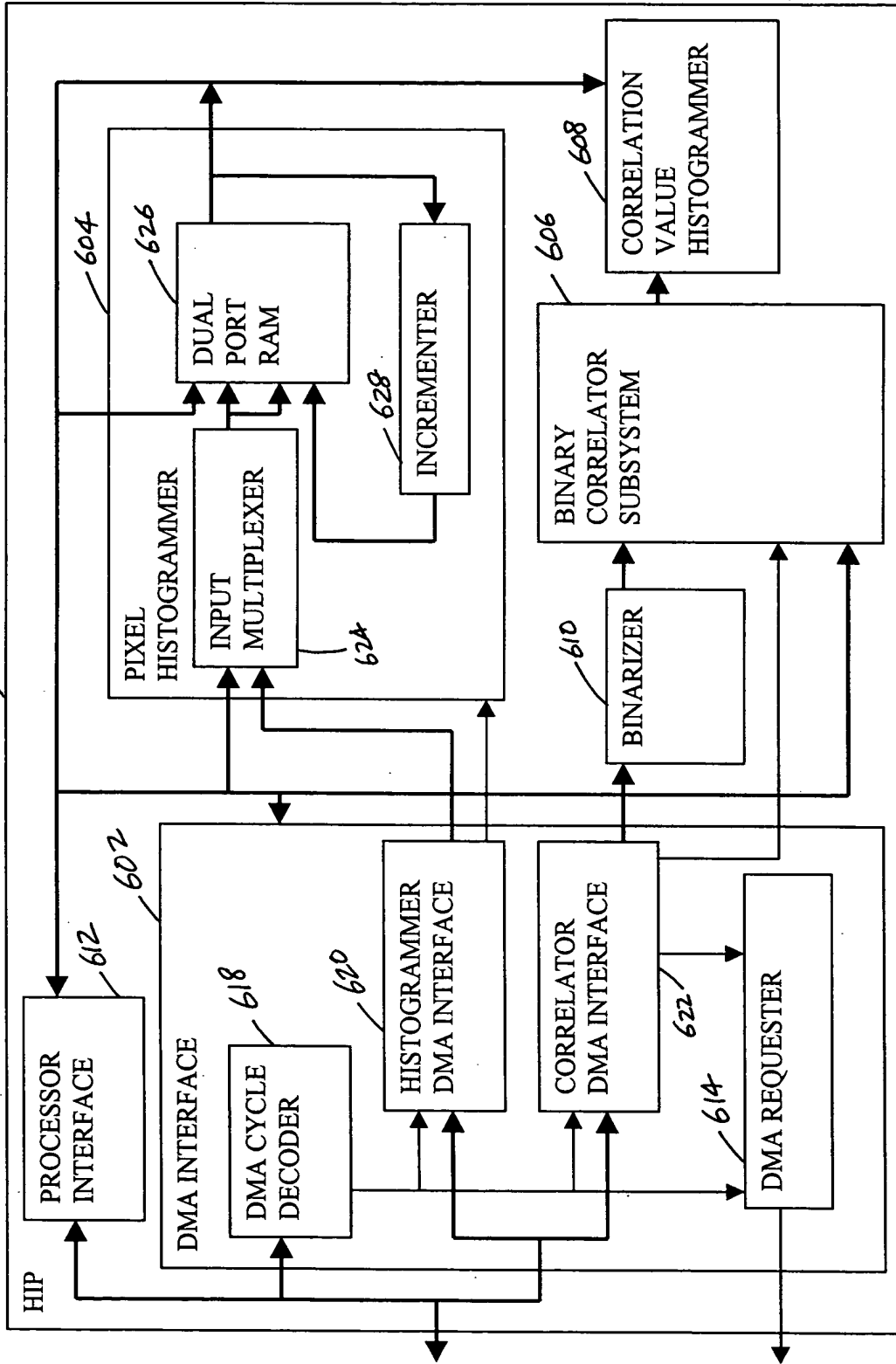


FIG. 10

20250229 24:22:00

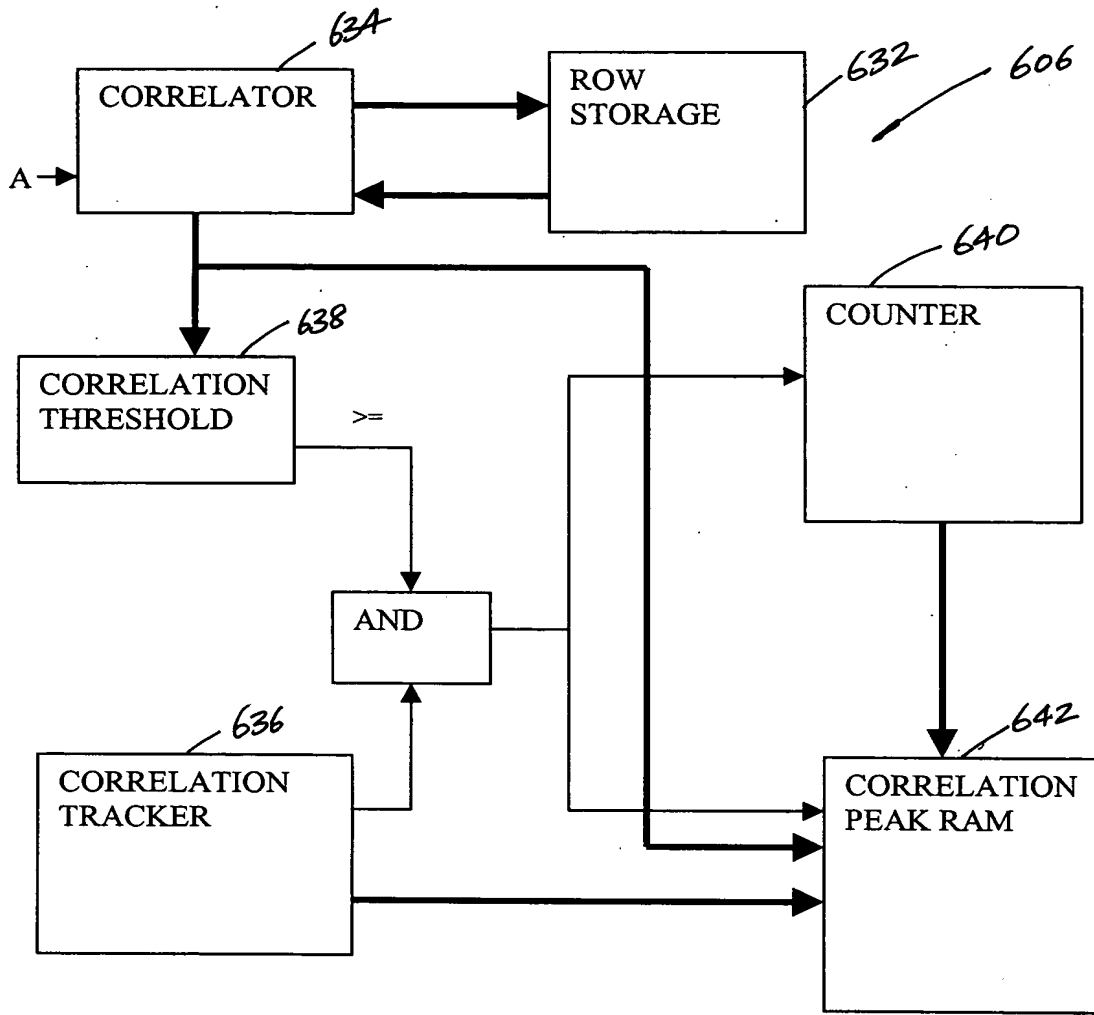


FIG. 11

209020' 242200F

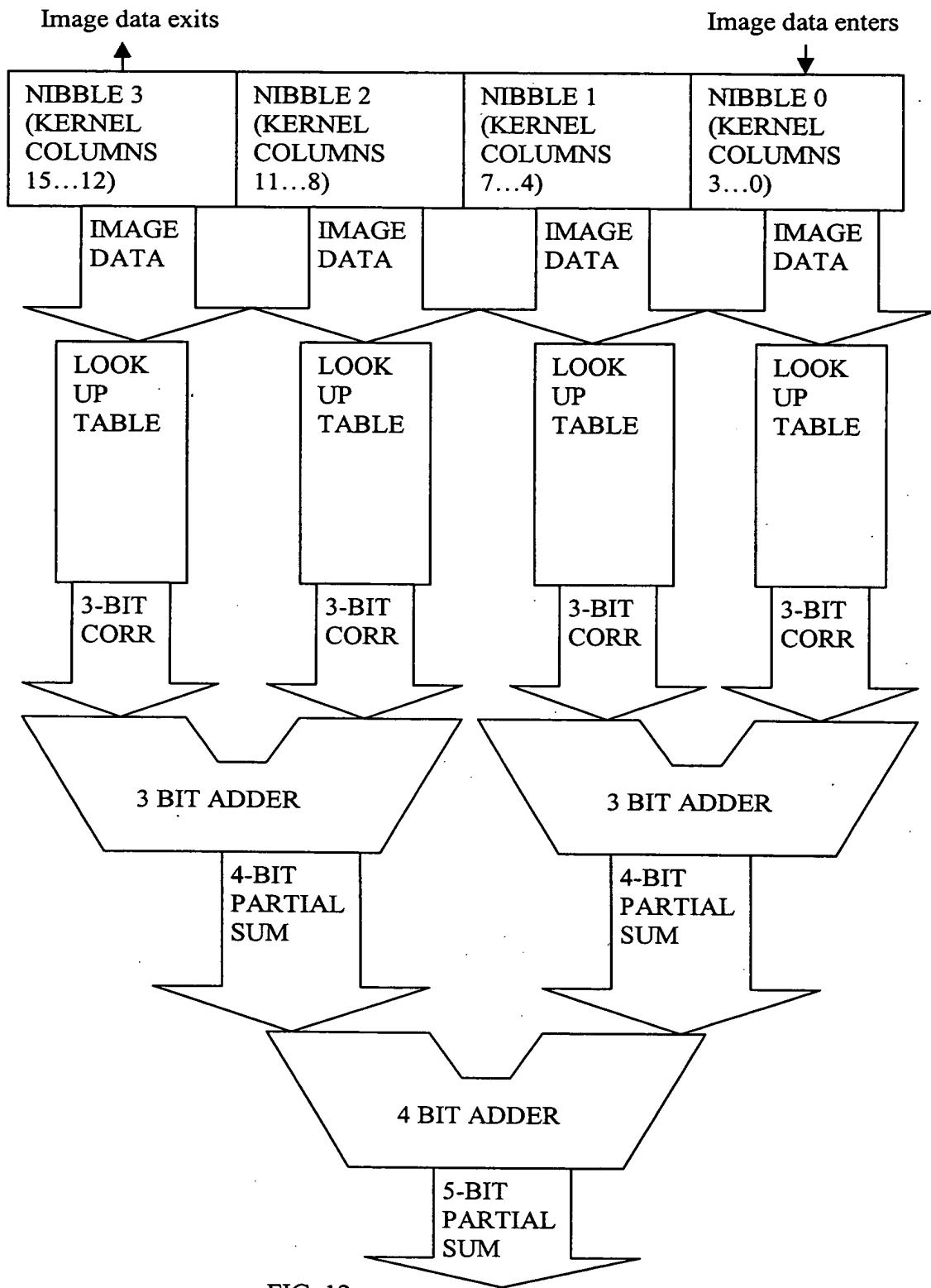
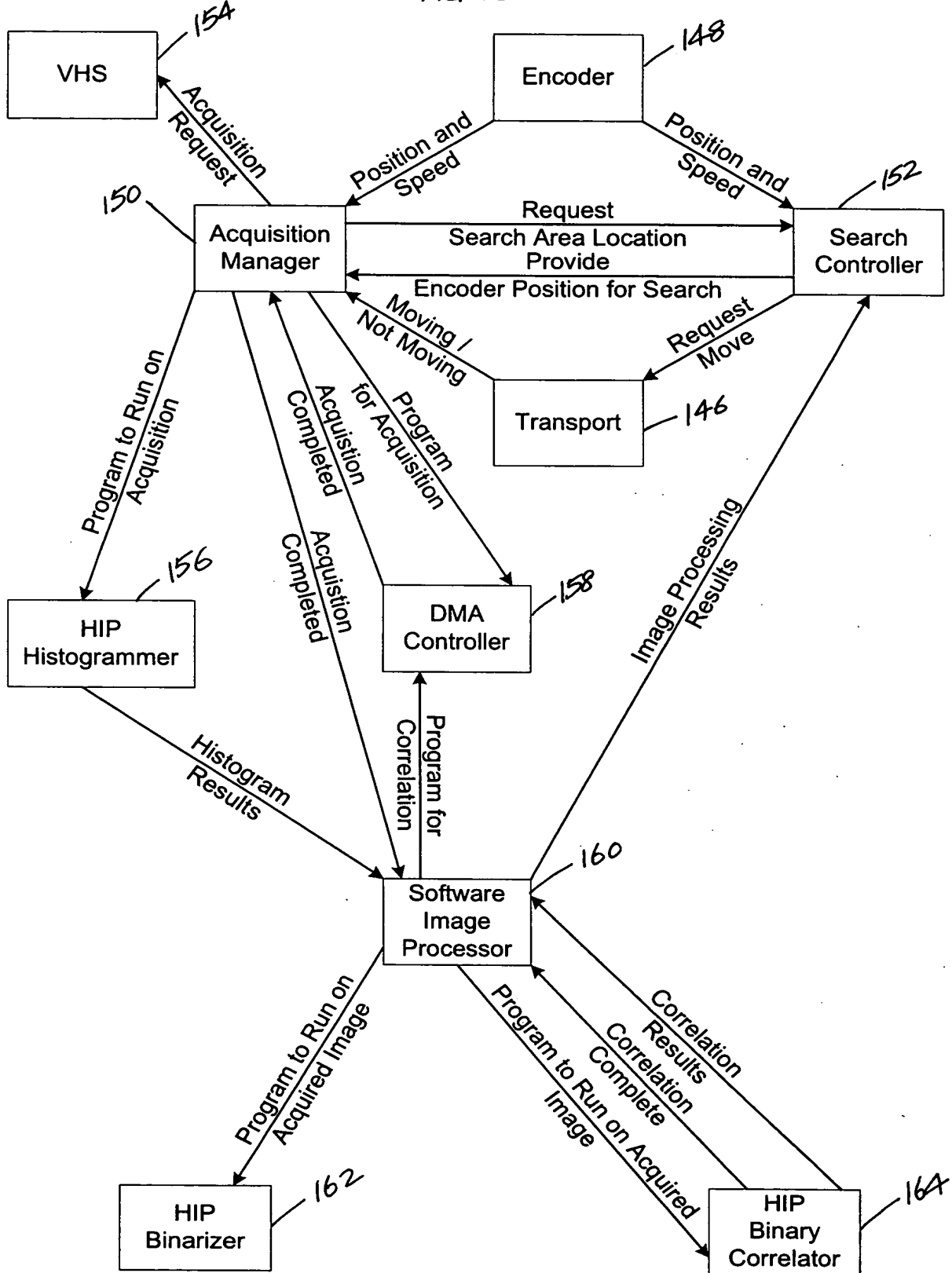


FIG. 12

FIG. 13



200744-020602